

Karakteristike



- Kompaktna in nevpadljiva zražna zavesa s pregledom nad rešetkami in varžno toplotno žrpalko: Do 70% zmanjšanje stroškov in emisij CO₂ (nažin ogrevanja).
- Samonosilna konstrukcija ohišja iz pocinkane jeklene plošže, pripravljen za vgradnjo na viseži strop.
- Vhodna rešetka (brez potrebe po vzdrževanju) je izdelana iz aluminijastih profilov in razpršilne šobe, vgrajena v beli barvi okvirja RAL 9016. Druge barve so na voljo po želji.
- Centrifugalni ventilatorji z dvojnim dovodom, ki jih poganja zunanji rotor motorja z nizko raven hrupa. Izbira med 5 hitrostmi. Modeli EC so sestavljeni z ventilatorji z visoko užinkovitostjo in majhno porabo.
- Vkljužuje samo ogrevanje direktne ekspanzijske tuljave z vgrajenimi temperaturnimi senzorji.
- Advanced Plug&Play control. Includes: Advanced PRO control with integrated LCD screen, door contact, 7m RJ11 cable and remote control. With integrated functions: door delay (configurable); operation, alarm and maintenance warning signals; and multiple digital inputs that modify the curtain's operation.
- Includes protective varnish for the electronic board and control.
- DX 1:1:
Pripravljeno za prikljužitev na zunanjo toplotno žrpalko DAIKIN Inverter (R32) in ekspanzijski ventil ni vkljužen, narožnik ga mora kupiti sam. Zahteva DAIKIN DX Interface KIT, prilagojen za zražno zaveso in programabilno krmiljenje.
- DX VRV:
Pripravljeno za prikljužitev na zunanjo toplotno žrpalko DAIKIN VRV (R410A) in ekspanzijski ventil ni vkljužen, narožnik ga mora kupiti sam. Zahteva DAIKIN VRV Interface KIT, prilagojen za zražno zaveso in programabilno krmiljenje.

Specifikacije

50Hz

Toplotna žrpalka - DX 1:1

Model	(m ³ /h)	(m)
RDAM ECM 1500 DX12-DA	5/8" - 3/8"	
RDAM ECM 2000 DX16-DA	5/8" - 3/8"	
RDAM ECM 2500 DX21-DA	3/4" - 3/8"	
RDAM ECM 2500 DX24-DA	3/4" - 3/8"	
RDAM ECG 1000 DX10-DA	5/8" - 3/8"	
RDAM ECG 1500 DX13-DA	5/8" - 3/8"	
RDAM ECG 1500 DX15-DA	5/8" - 3/8"	
RDAM ECG 2000 DX22-DA	3/4" - 3/8"	
RDAM ECG 2500 DX25-DA	3/4" - 3/8"	
RDAM ECG 2500 DX29-DA	7/8" - 1/2"	

Toplotna žrpalka - VRV

Model	(m ³ /h)	(m)
RDAM ECM 1000 VRV8-DA	5/8" - 3/8"	
RDAM ECM 1500 VRV12-DA	5/8" - 3/8"	
RDAM ECM 2000 VRV16-DA	5/8" - 3/8"	
RDAM ECM 2000 VRV19-DA	3/4" - 3/8"	
RDAM ECM 2500 VRV21-DA	3/4" - 3/8"	
RDAM ECM 2500 VRV24-DA	3/4" - 3/8"	



Toplotna žrpalka - VRV

Model	(m ³ /h)	(m)
RDAM ECG 1000 VRV10-DA	5/8" - 3/8"	
RDAM ECG 1500 VRV13-DA	5/8" - 3/8"	
RDAM ECG 1500 VRV15-DA	5/8" - 3/8"	
RDAM ECG 2000 VRV20-DA	3/4" - 3/8"	
RDAM ECG 2000 VRV24-DA	3/4" - 3/8"	
RDAM ECG 2500 VRV25-DA	3/4" - 3/8"	
RDAM ECG 2500 VRV29-DA	7/8" - 3/8"	

60Hz

Toplotna žrpalka - DX 1:1

Model	(m ³ /h)	(m)
RDAM ECM 1500 DX12-DA	5/8" - 3/8"	
RDAM ECM 2000 DX16-DA	5/8" - 3/8"	
RDAM ECM 2500 DX21-DA	3/4" - 3/8"	
RDAM ECM 2500 DX24-DA	3/4" - 3/8"	
RDAM ECG 1000 DX10-DA	5/8" - 3/8"	
RDAM ECG 1500 DX13-DA	5/8" - 3/8"	
RDAM ECG 1500 DX15-DA	5/8" - 3/8"	
RDAM ECG 2000 DX22-DA	3/4" - 3/8"	
RDAM ECG 2500 DX25-DA	3/4" - 3/8"	
RDAM ECG 2500 DX29-DA	7/8" - 1/2"	

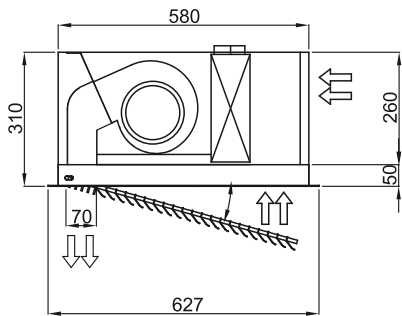
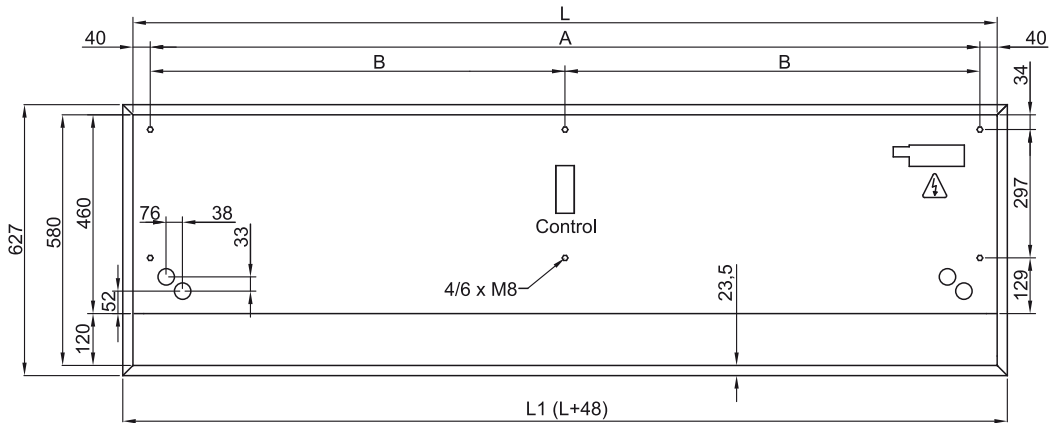
Toplotna žrpalka - VRV

Model	(m ³ /h)	(m)
RDAM ECM 1000 VRV8-DA	5/8" - 3/8"	
RDAM ECM 1500 VRV12-DA	5/8" - 3/8"	
RDAM ECM 2000 VRV16-DA	5/8" - 3/8"	
RDAM ECM 2000 VRV19-DA	3/4" - 3/8"	
RDAM ECM 2500 VRV21-DA	3/4" - 3/8"	
RDAM ECM 2500 VRV24-DA	3/4" - 3/8"	
RDAM ECG 1000 VRV10-DA	5/8" - 3/8"	
RDAM ECG 1500 VRV13-DA	5/8" - 3/8"	
RDAM ECG 1500 VRV15-DA	5/8" - 3/8"	
RDAM ECG 2000 VRV20-DA	3/4" - 3/8"	
RDAM ECG 2000 VRV24-DA	3/4" - 3/8"	

Toplotna ?rpalka - VRV

Model	(m ³ /h)	(m)
RDAM ECG 2500 VRV25-DA	3/4" - 3/8"	
RDAM ECG 2500 VRV29-DA	7/8" - 3/8"	

Dimenzije



	L	L1	A	B
Recessed Dam 1000	1000	1048	920	-
Recessed Dam 1500	1500	1548	1420	710
Recessed Dam 2000	2000	2048	1920	960
Recessed Dam 2500	2500	2548	2420	1210